

## *‘Fine Furniture’ with VisualCAM for Geomagic*

As we mention often, at MecSoft, we thoroughly enjoy seeing the outstanding products our customers are able to produce using our software. It’s inspiring to see users take advantage of the capabilities the software offers and create something truly amazing. MecSoft customer **Tarik Yousef** is yet another one of these customers. Tarik is the owner of **TY Fine Furniture, Ltd.** The level of craftsmanship and artistry displayed in his creations reminds us that furniture making is a perfect blend of functionality and visual aesthetics.



Located outside Columbus, Ohio, Tarik Yousef is a self-taught master woodworker with a background in engineering and physics. Tarik uses the Professional configuration of **VisualCAM for Geomagic** (previously called Alibre CAM) and has had great success. When asked how our software has made his job easier, Tarik responded, “I am an engineer with years of experience working with much costlier packages. In a corporate setting I saw how good and bad these packages could be when utilized in various ways. When

Geomagic Design first partnered with MecSoft, I had already been a Geomagic Design customer for many years, the integration was brilliant, smooth and user friendly.” Tarik went on to describe how the ability to take a standard design and change it on the fly is critical to his success. Tools like the ‘knowledge bases’ have further improved the workflow and productivity of Tarik.

Let’s take a look at a featured project that VisualCAM for Geomagic has assisted in Tarik’s success.

*“MecSoft is a critical component in my business and I could not see any other software fitting my needs nearly as well.”*

## **Featured Product: Bed Frame**

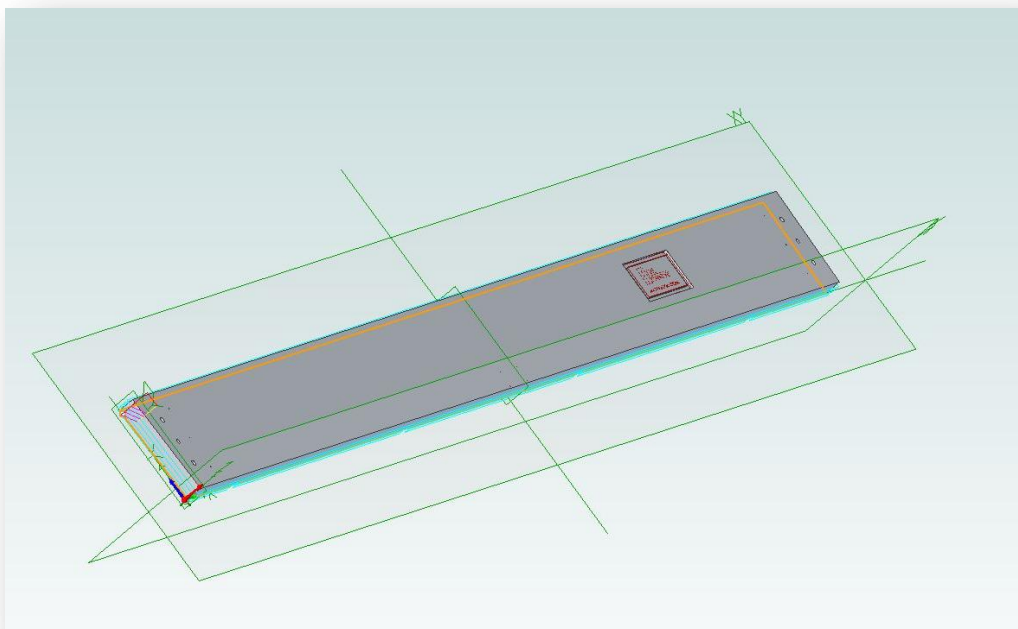
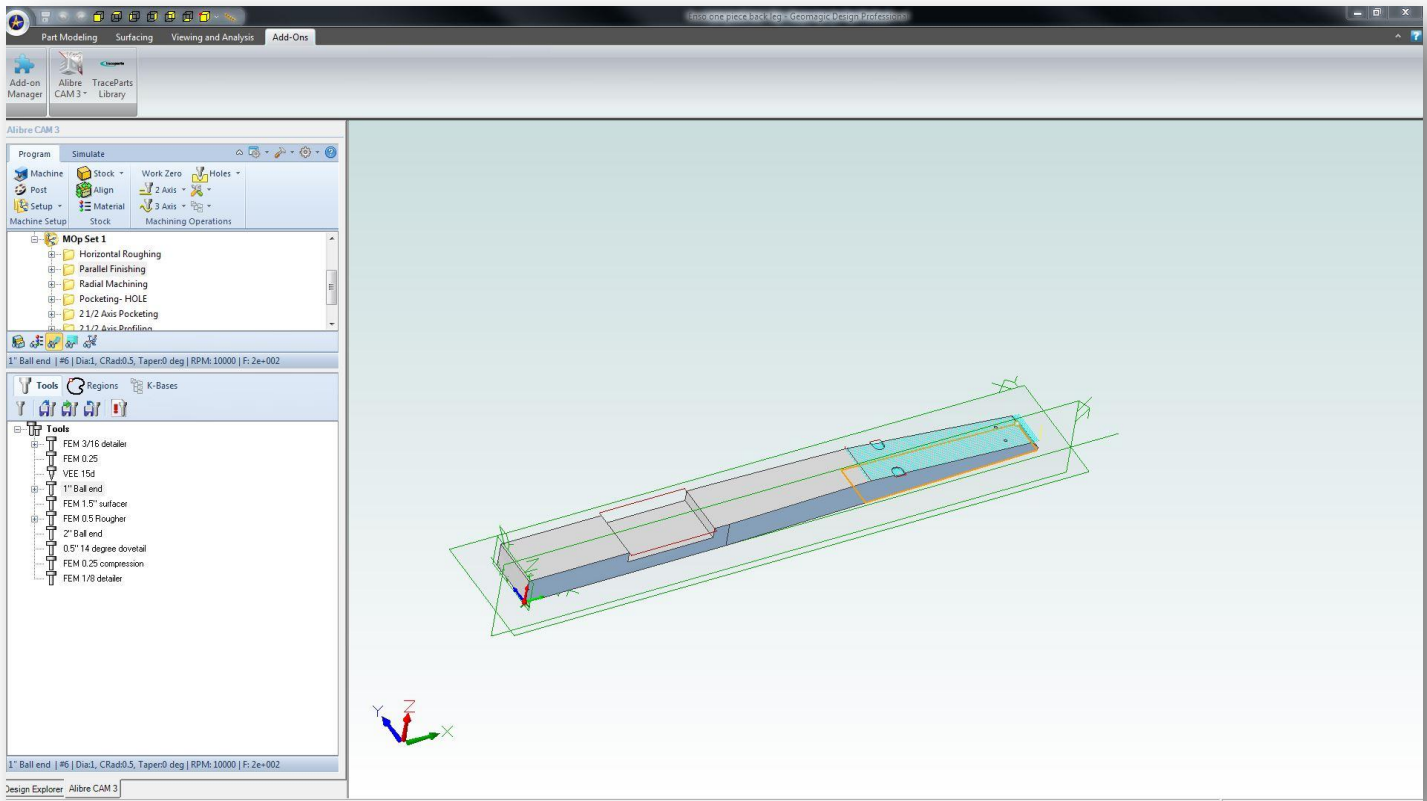
Tarik stated that his bed frames are his biggest seller and what drove the need for VisualCAM for Geomagic. Having the ability to modify his designs within CAD and instantly output CAM results has been critical in Tarik's ability to continue producing these bed frames.

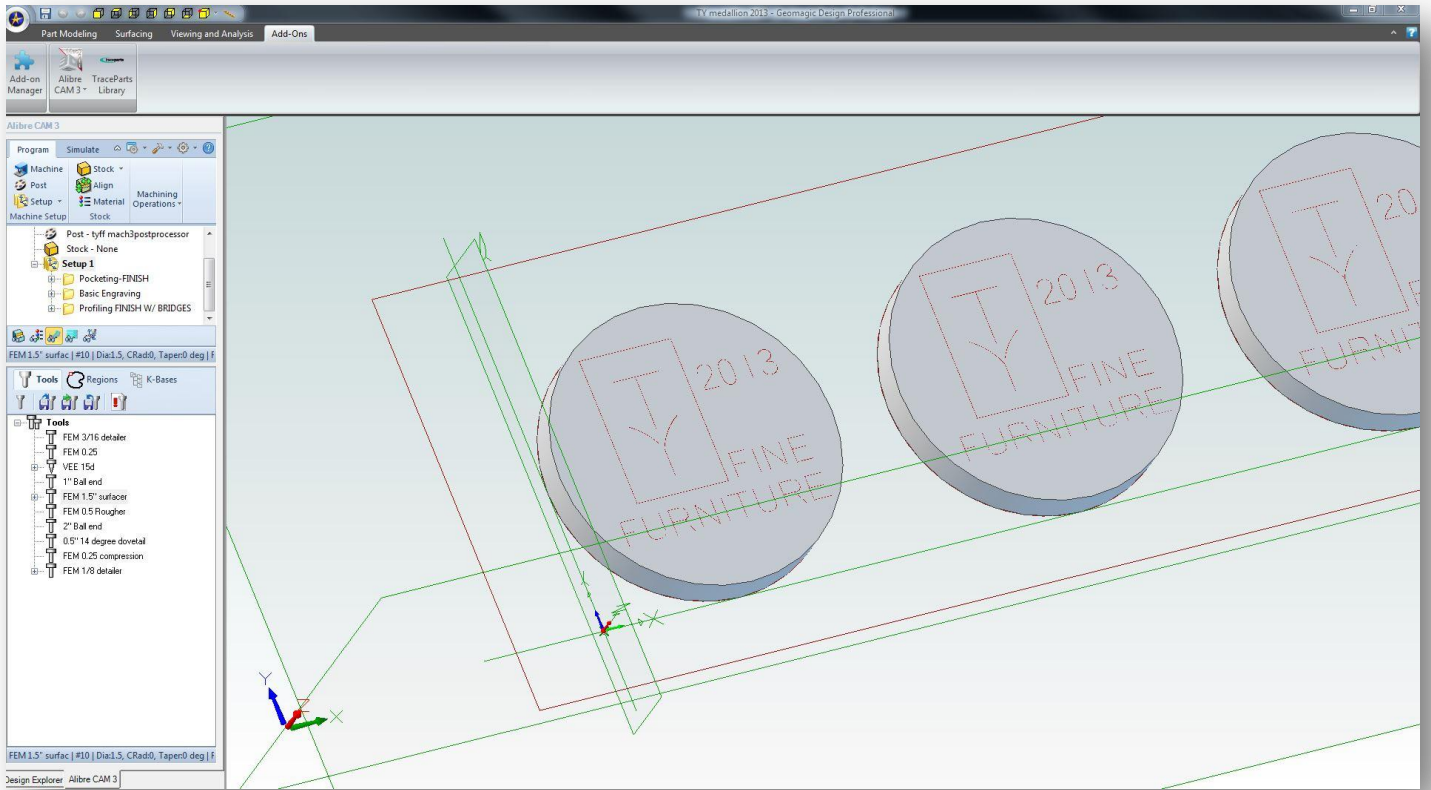
*“What I love about VisualCAM for Geomagic is simply the fact that it integrates so seamlessly with Geomagic Design. Seriously though, this is a big deal. Converting and importing CAD data is no fun, inefficient, and just plain stupid.”*

*Tarik's Bed Frame*

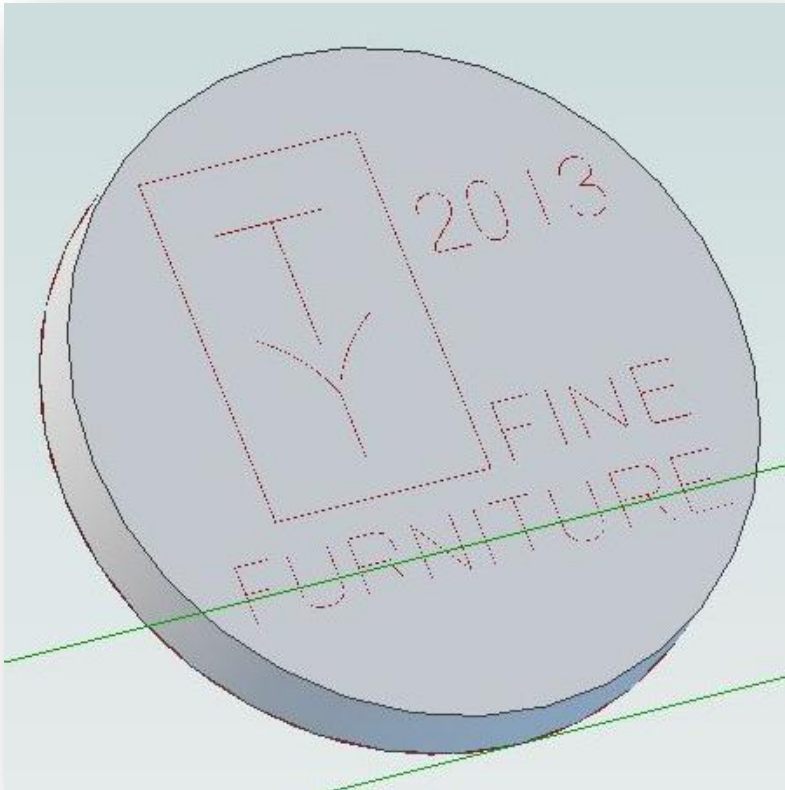


# Back leg of the bed frame and toolpath displayed in Geomagic Design





***TY Fine Furniture, LTD. Medallion***



*Footboard Component, mid-machining*



*“Geomagic Design and  
VisualCAM for  
Geomagic are two rock  
solid platforms, user  
friendly and easy to use.”*

***The Engraved Logo***



## Additional Completed Projects











For information on Tarik Yousef and TY Fine Furniture, LTD. visit [tyfinefurniture.com](http://tyfinefurniture.com)

To learn more about MecSoft's VisualCAM software, visit [our website](#) or call (949) 654-8163.